



TRABTECH surge protection

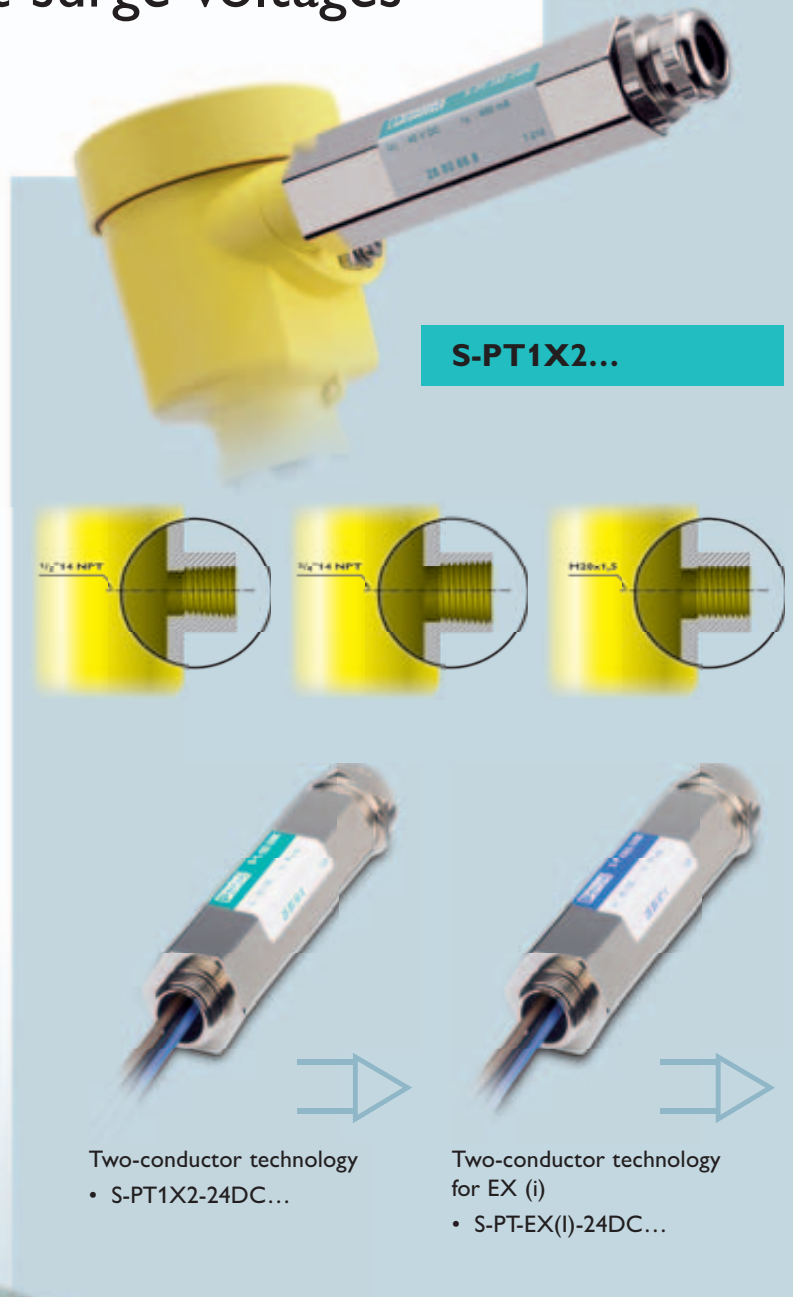
SURGETRAB – Screw in, connect and you're done!

SURGETRAB – The plug-in concept with direct protection against surge voltages on the sensor head

Screw in, connect and you're done – SURGETRAB are arresters for all common standard signals connected directly to the sensor head by means of their connecting threads. This method of mounting saves time and costs and also makes an additional connection box redundant for surge protection installation.

Various connection versions are available for both through and parallel wiring. The protective circuit can thus be connected either in series or in parallel to the interface of the measuring sensor.

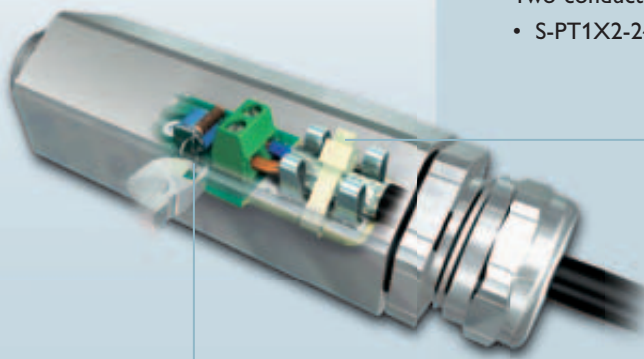
A second connecting thread is necessary on the sensor head for the parallel wired version.



S-PT1X2...

Two-conductor technology
• S-PT1X2-24DC...

Two-conductor technology
for EX (i)
• S-PT-EX(I)-24DC...



Integrated shield fast connection

The conductor shield can be fixed easily and reliably in the shield connection clamp using the cable binder.

Direct or indirect grounding of the shield

By default, the shield is directly connected to the reference potential via a preinstalled jumper.

The jumper can be easily disconnected with a diagonal cutter for indirect grounding.

www.phoenixcontact.com/global/select/campaign_msr_en

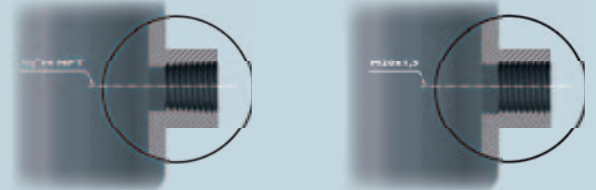


S-PT-EX...

For harsh industrial environments as well

The protective circuit of the new S-PT... is extremely well packed. The IP67 housing is a stable six-sided tube made of V4A high-grade steel.

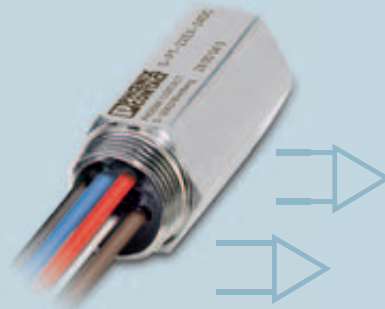
Several SURGETRAB variants are thus also ready for use in the Ex area.



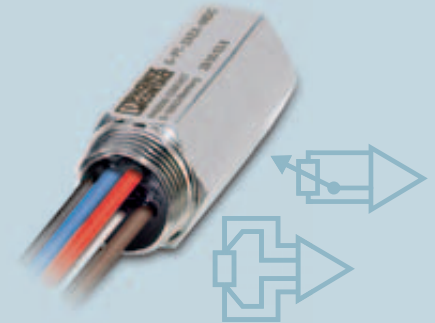
SURGETRAB – suitable protection solutions for all standard signals



Two-conductor technology
• S-PT-EX...



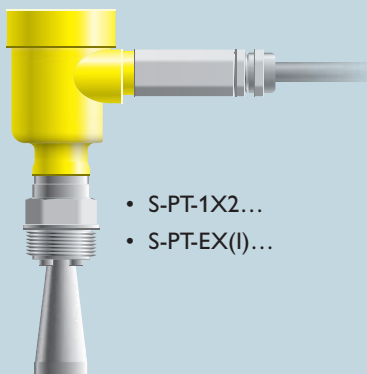
2x two-conductor technology
• S-PT-2XEX...



Three and four-conductor technology
• S-PT-4-EX...

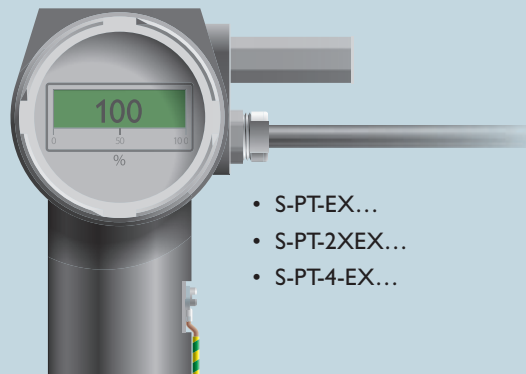
Surge protection directly on the sensor head – Connection versions

Through wiring:



- S-PT-1X2...
- S-PT-EX(I)...

Parallel wiring:

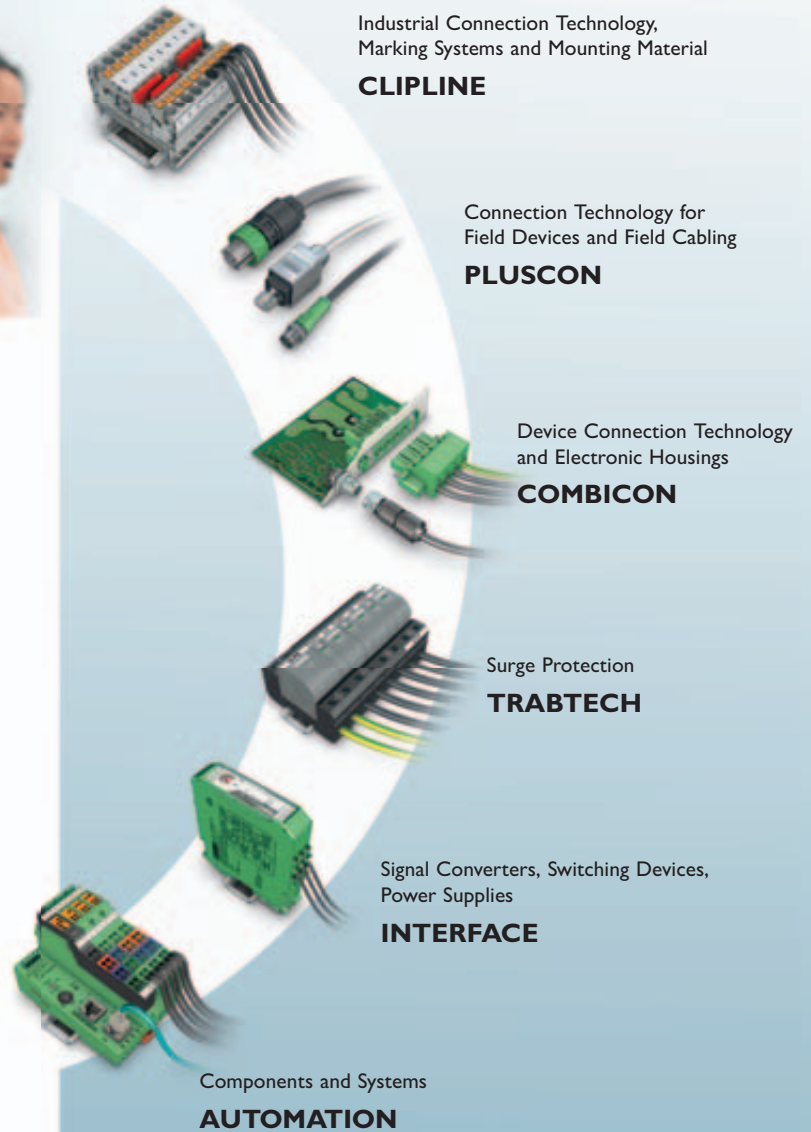


- S-PT-EX...
- S-PT-2XEX...
- S-PT-4-EX...

Further information on the products presented here and on the world of solutions from Phoenix Contact can be found at www.phoenixcontact.net/catalog



Or contact us directly.



PHOENIX CONTACT GmbH & Co. KG
D-32823 Blomberg, Germany
Phone: +49/5235/3-00
Fax: +49/5235/3-1 07 99
www.phoenixcontact.com